



Aichi SR-210 and SR-182

**Home
Truck Mounts
Self Propelled
Parts & Accessories
Contact Us**

SR-182 and SR-210 ensure safe, efficient erection of external wall construction and other operations without preparation of the ground at factories, warehouses, and other work sites, thereby rationalising the construction work.



[click for a larger image](#)



[click for a larger image](#)

HEAD OFFICE
19 Ngapara Street
Alexandra, Otago
New Zealand

Phone: 64 (03) 440 2203
Fax: 64 (03) 440 2246
support@aichissmi.com

Model Number And Model Name

Model Number	SR-210	SR-182
Model Name	Crawler type self propelled aerial platform	Crawler type self propelled aerial platform

Platform

Max. Load	200kgf	250kgf
Max. Platform Height	20.8m	18.0m
Max. Horizontal Outreach	19.0m	16.5m
Platform Inner Size (D x W x H)	1.3m x 0.75m x 1.1m	1.3m x 0.75m x 1.1m

Boom

Length	8.28m - 19.96m	7.19m - 16.86m
--------	----------------	----------------

Slewing Device

Slewing Angle	360° continuous	360° continuous
Slewing Speed	0.8 r.p.m.	0.86 r.p.m.

Travelling

Travelling Speed	0 - 0.9km/h	0 - 1.1km/h
Gradability Stowed	22° (40%)	27° (51%)

Dimensions And Weight

Min. Ground Clearance	380mm	400mm
Gross Weight	8,300kg	14,500kg
Ground Contact pressure	0.4kg/cm ²	0.80kg/cm ²

Vehicle Dimensions (refer diagram below)

A: Length	9,745mm	8,610mm
B: Width	2,460mm	2,460mm
C: Height	2,550mm	2,550mm

Gross Vehicle Weight	15,300kgf	13,500kgf
J: Ground Clearance	425mm	425mm
E: Tumbler Center Distance	2,575mm	2,575mm
F: Crawler Center Distance	1,960mm	1,960mm
K: Radius Of Revolving Superstructure	2,440mm	2,420mm
G: Crawler Shoe Width	500mm	500mm
Max. Ground Pressure	0.91kgf/cm ² (13psi)	0.78kgf/cm ² (11psi)

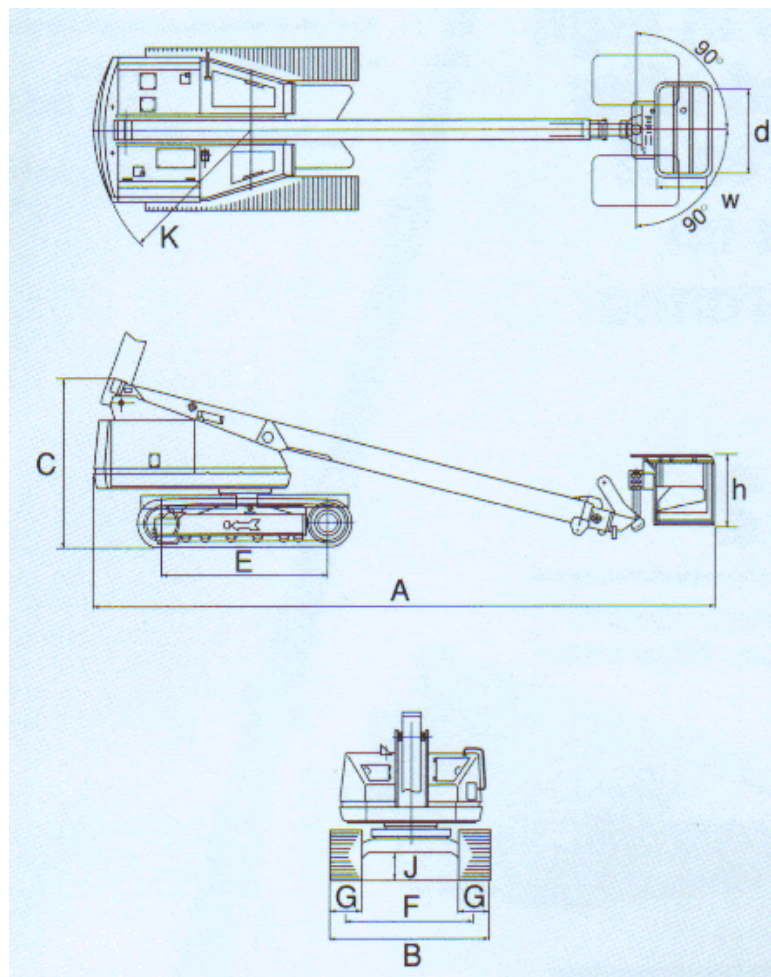
Power Source

Name And Type	ISUZU 4BD1T (turbo) ISUZU 4BD1	
Max. Output	81PS (60.4kw) / 1,700 r.p.m.	69.5PS (51.8kw) / 2,200 r.p.m.
Displacement	3,856cc	3,856cc
Voltage	24V DC	24V DC
Fuel Tank Capacity	230L (60.7 gal)	230L (60.7 gal)

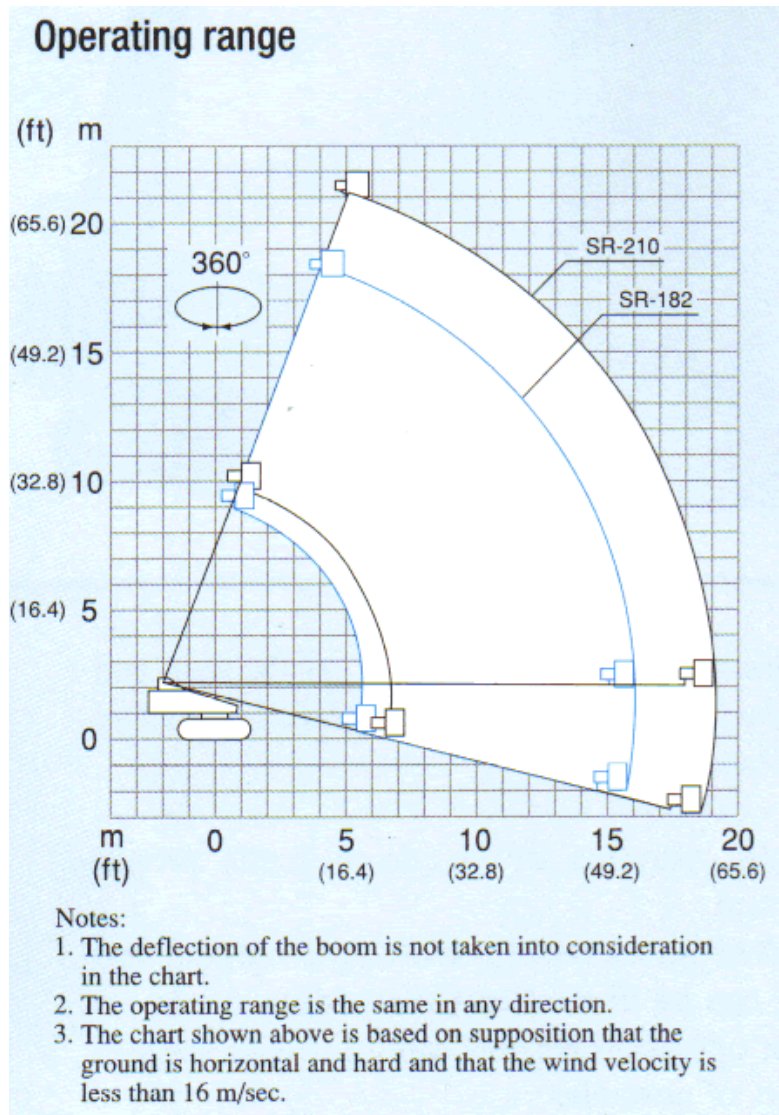
Hydraulics

Pressure	210kgf/cm ² (2980psi)	210kgf/cm ² (2980psi)
Reservoir Capacity	250L	250L

SR-210 and SR-182 Overall Dimensions



SR-210 and SR-182 Working Range Chart



Design © [BWD](#)
 Content © SSMI

All specifications, appearances and parts are subject to change without notice