



JCB 537-135

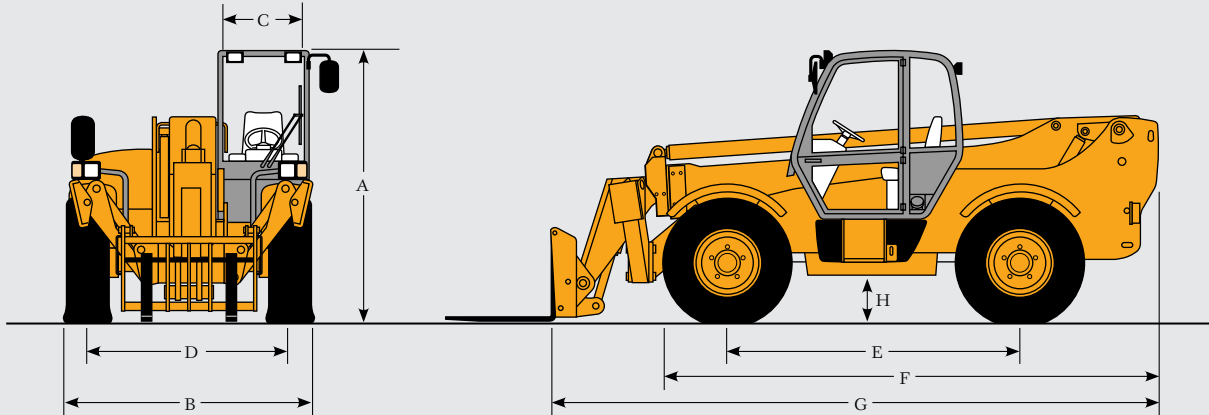
LOADALL



3.7 TONNES TO 13.5 METRES LIFT HEIGHT.

GENERAL SPECIFICATION

STATIC DIMENSIONS

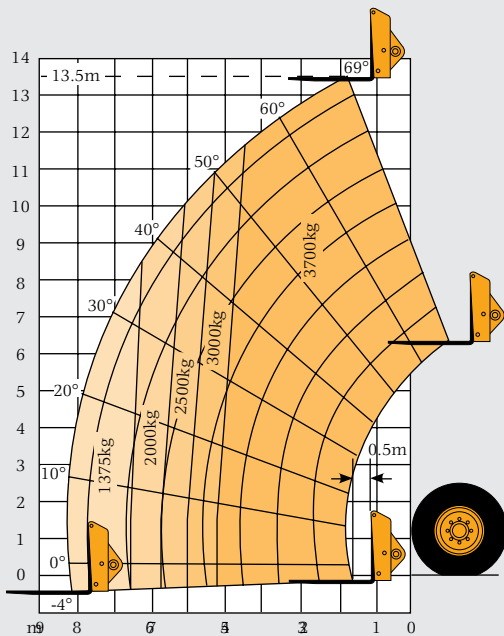


A Overall height	2.59m	8' 6"
B Overall width (over tyres)	2.35m	7' 9"
C Inside width of cab	0.94m	3' 1"
D Front track	1.90m	6' 3"
E Wheelbase	2.90m	9' 6"
F Overall length to front tyres	5.18m	17' 0"
G Overall length to front carriage	6.25m	20' 6"
H Ground clearance	0.40m	1' 4"

Width over fully extended stabilizers	2.73m	8' 11"
Overall length to stabilizers – retracted	5.74m	18' 10"
Overall length to stabilizers – extended	5.77m	18' 11"
Outside turn radius (over tyres)	4.10m	13' 5"
Departure angle	30°	
Weight	10340kg	22796lb
Tyres	15.5-25	

PERFORMANCE

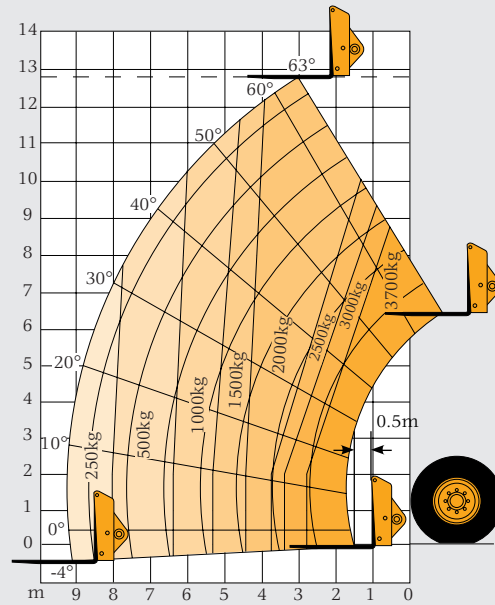
WITH STABILISERS EXTENDED



Maximum lift capacity	3700kg	8157lb
Lift capacity to full height	3700kg	8157lb
Lift capacity at full reach	1375kg	3030lb
Lift height	13.50m	44' 3"
Reach at maximum lift height	1.68m	5' 6"
Maximum forward reach	9.25m	30' 4"
Reach with 1 tonne load	9.25m	30' 4"
Placing height	12.94m	42' 5"

Complies with stability test EN1459 annex B.
Lift heights are with all wheels on the ground.

STABILISERS RETRACTED WITH CHASSIS LEVELLING (SWAY) (CHASSIS LEVELLING ANGLE ±9°)



Maximum lift capacity	3700kg	8157lb
Lift capacity to full height	2000kg	4410lb
Lift capacity at full reach	250kg	550lb
Lift height	12.82m	42' 1"
Reach at maximum lift height	2.94m	9' 8"
Maximum forward reach	9.25m	30' 4"
Reach with 1 tonne load	6.4m	21' 0"
Placing height	12.2m	39' 11"

Complies with stability test EN1459 annex B.
Lift heights are with all wheels on the ground.